



APEX PULP

Manufacturer of Moulded Pulps

GENERAL PURPOSE POT 2000ML Eco-Friendly Medical Pulp



Made from
BIODEGRADABLE
Double Lined Kraft

Designed for Single Use to
Reduce Risk of Infection



The General Purpose Pot with 2L rated capacity is made from eco-friendly biodegradable kraft material, intended for use as container to drain urine and/or to determine the amount of urine or fluid as it is marked with graduation levels ranging from 50ml to 2000ml.

Manufactured as single-use disposable medical pulp to meet the requirement to hold water and/or human waste for a minimum period of four hours at an initial temperature of 35°C. Suitable for disposal into macerator which complies with PAS29:1999 "Disposable Pulp For Use in Healthcare".

Suitable for



Hospitals



Nursing Homes



Personal Use

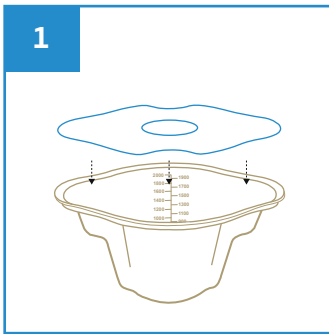


Medical Clinics

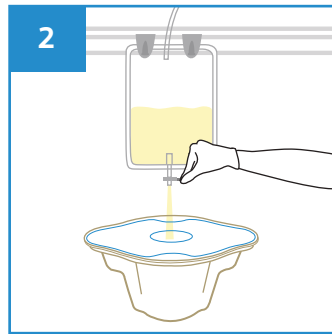


Disability Homes

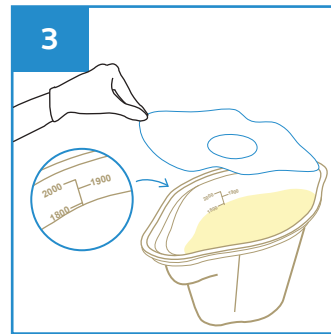
User Guide



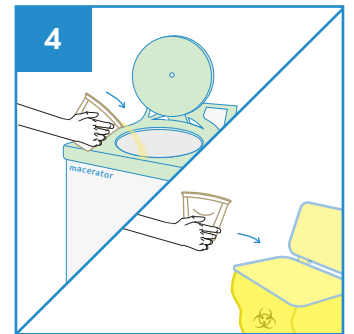
Place lid over General Purpose Pot.



Place General Purpose Pot under urinal bag. Drain urine through the lid hole to prevent splashes.



To measure contents, remove the lid and read the volume from graduated markings.



Dispose the General Purpose Pot with lid directly into macerator or into appropriate waste bins.



Stackable



Water Retention



Macerator Friendly



Eco-Friendly



Recyclable

PRODUCT DESCRIPTION	PRODUCT SIZE	PACKAGING	CARTON DIMENSION	ORDER CODE
General Purpose Pot 2000ml	290 x 170 x 140 mm	100 pcs per carton	755 x 370 x 310 mm	100APPGPP2000



Manufactured in accordance with PAS29:1999
Disposable Pulp Products For Use in Healthcare

Rev0(0722)EN

