

# BEDPAN SUPPORT <100KG Eco-Friendly Medical Pulp



Made from  
BIODEGRADABLE  
Double Lined Kraft

Designed for Single Use to  
Reduce Risk of Infection



The sturdy Bedpan Support that supports up to 100 kg evenly distributed weight, is made from eco-friendly biodegradable kraft material, intended for use as support with bedpan liner place over it. Due to the innovative mould pulp design structure, it can withstand patient weighing up to 100 kg when placed under the buttock.

Manufactured as single-use disposable medical pulp to meet the requirement to hold water and/or human waste for a minimum period of four hours at an initial temperature of 35°C. Suitable for disposal via macerator which complies with PAS29:1999 “Disposable Pulp For Use in Healthcare”.

**Suitable for**



Hospitals



Nursing Homes



Personal Use

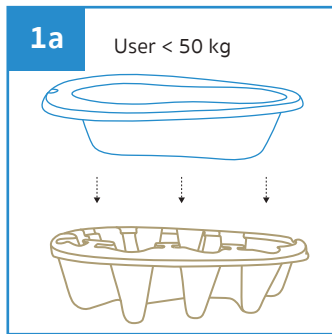


Medical Clinics

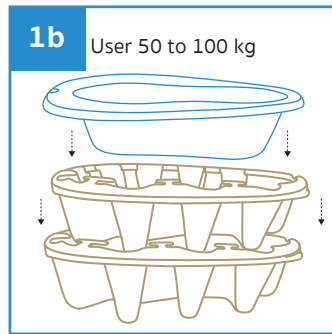


Disability Homes

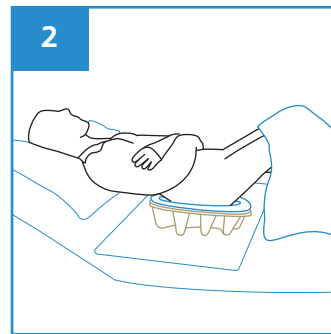
**User Guide**



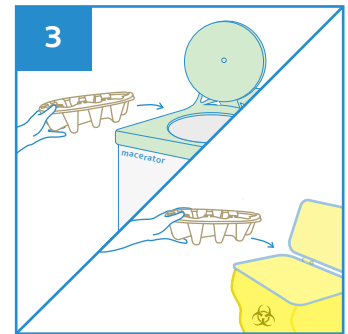
For user weight under 50 kg, place bedpan liner over the disposable moulded pulp bedpan support.



If the user weight is between 50 to 100 kg, stack 2 pieces together for added strength.



Slide the bedpan liner with support under the buttock. To prevent spills, place a sheet of incontinence pad under the bedpan.



Dispose the Bedpan Liner with disposable support directly into macerator or empty the content from bedpan liner before disposing into appropriate waste bins.



Stackable



Water Retention



Macerator Friendly



Eco-Friendly



Recycled

**PRODUCT DESCRIPTION**

Bedpan Support <100kg

**PRODUCT SIZE**

370 x 295 x 95 mm

**PACKAGING**

40 pcs per carton

**CARTON DIMENSION**

755 x 370 x 310 mm

**ORDER CODE**

100APPBPS2000



Manufactured in accordance with PAS29:1999  
Disposable Pulp Products For Use in Healthcare

Rev3(0225)EN



**APEX PULP PTE LTD**

www.apexpulp.com

sales@apexpulp.com

© 2025 APEX PULP PTE LTD. All rights reserved.



**APEX PULP**  
Manufacturer of Moulded Pulps

Ref: APEX-PIB-BPS2000